

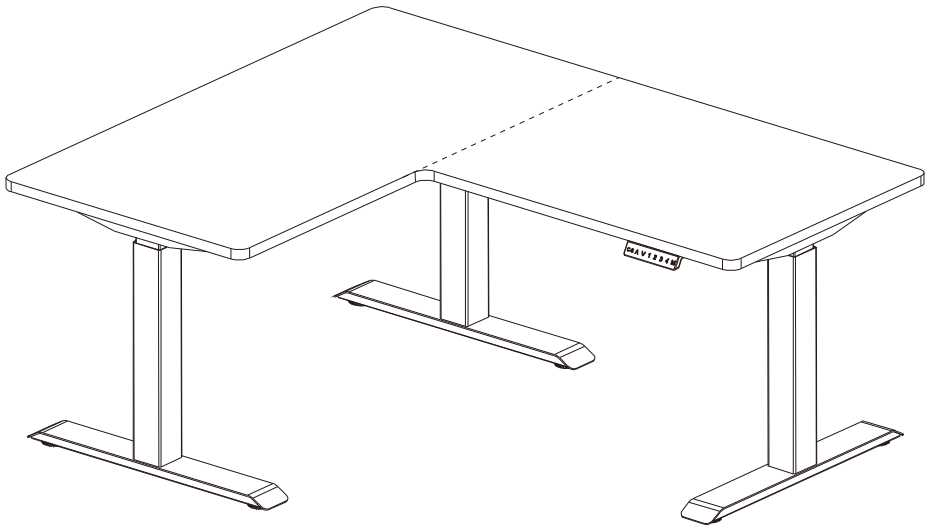
3 LEG FRAME

NAVODESK

USER MANUAL

3 Leg Height Adjustable Standing Desk

MODEL: ND:F300



Please read this manual before assembly.
If this desk is sold, please provide the manual to the buyer

Note: Desktop must be purchased separately

Table of Contents

Safety Information & Usage	01
Parts & Tools List	02
Assembly Instructions	03
Instructions For Use	09
Warranty Information	11

When using this product, basic precautions should always be followed. Read all instructions before using the desk. FAILURE TO COMPLY WITH OR OBSERVE ALL INSTRUCTIONS AND WARNINGS REGARDING THE USE OF THIS PRODUCT MAY RESULT IN SERIOUS PROPERTY DAMAGE OR BODILY INJURY.

DANGER - To reduce the risk of electric shock, always unplug the electrical outlet before cleaning, or before putting on or taking off parts.



Make sure no obstacles are in the desk's path.
Make sure the desktop is not touching any walls.
Make sure all cords are appropriate length to accommodate the change in height.



Keep children away from electric height - adjustable desks, control units and handsets. There is a risk of injury and electric shock.



Keep all electrical components away from liquids.



Do not sit or stand on the desk frame.
Do not crawl or lie under the desk frame.



Do not place any objects taller than 20" underneath the desk.



Do not open any of the components - the Legs, Control Box, or Switch.
There is a danger of electric shock.



In the event of a power outage or if the power cord is unplugged,
a manual reset may be necessary - see USE section.



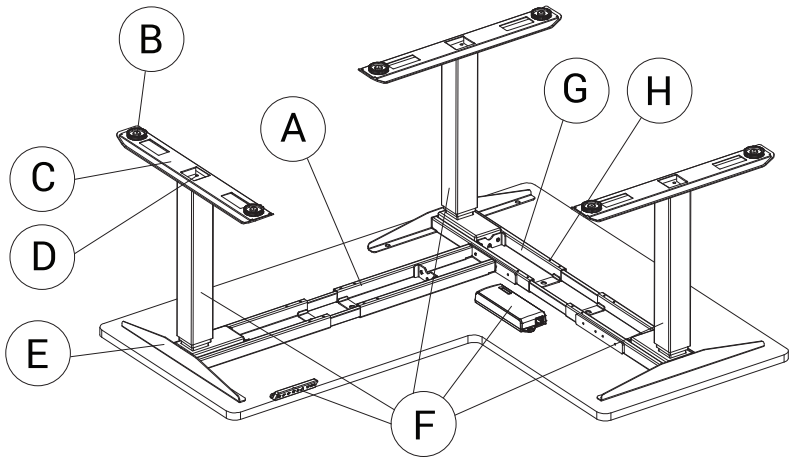
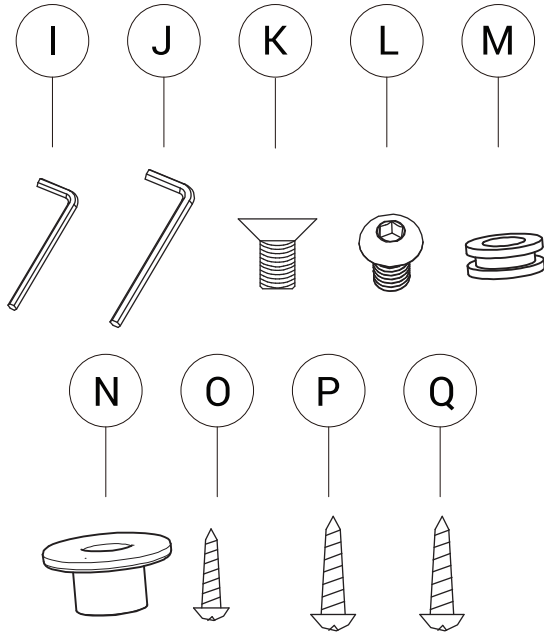
This height adjustable desk has electric motors and is designed for use in dry work areas only.

The desk height is adjustable so that it can be positioned at the most ergonomically suitable height.

Any other use is at user's risk.

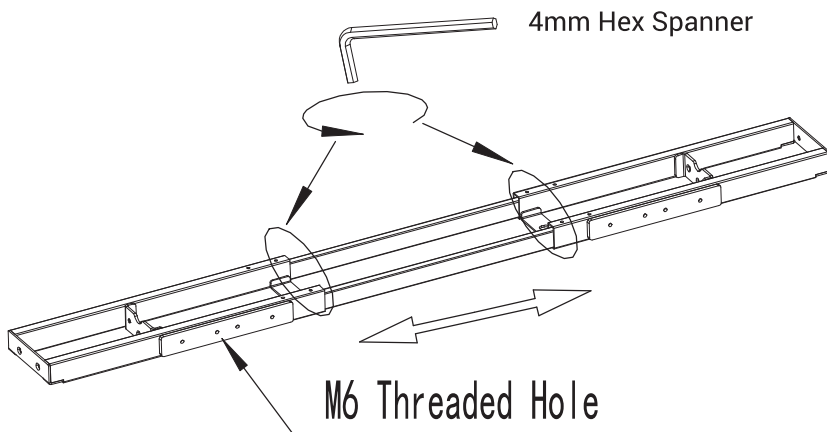
Under no circumstances does the manufacturer accept warranty claims or liability claims for damages caused from improper use or handling of the desk frame.

NO	Name	Qty
A	Support Beam2	1
B	Foot Pad	6
C	Foot Margin	3
D	M8*16 Screw	12
E	Bracket	3
F	Lifting System	1set
G	Support Beam1	1
H	M6*10 Screw	16
I	4mm Hex Spanner	1
J	5mm Hex Spanner	1
K	M6*12 Screw	18
L	M6*8 Screw	2
M	Rubber Cushion	10
N	Plastic Pad	10
O	ST3.5*19 Screw	2
P	ST4.8*19 Screw	2
Q	ST4.8*25 Screw	10



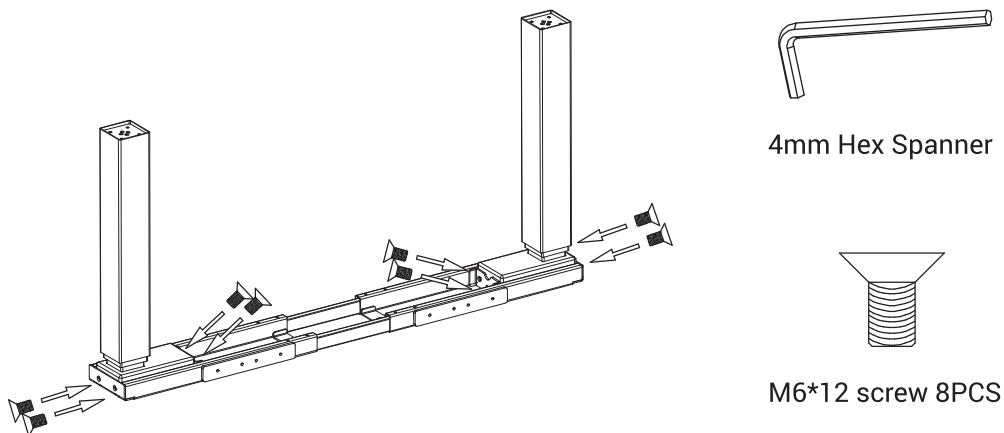
STEP 1

Loosen the 4 screws of beam1 using 4MM hex spanner, adjust the beam to proper position to fit the desktop.



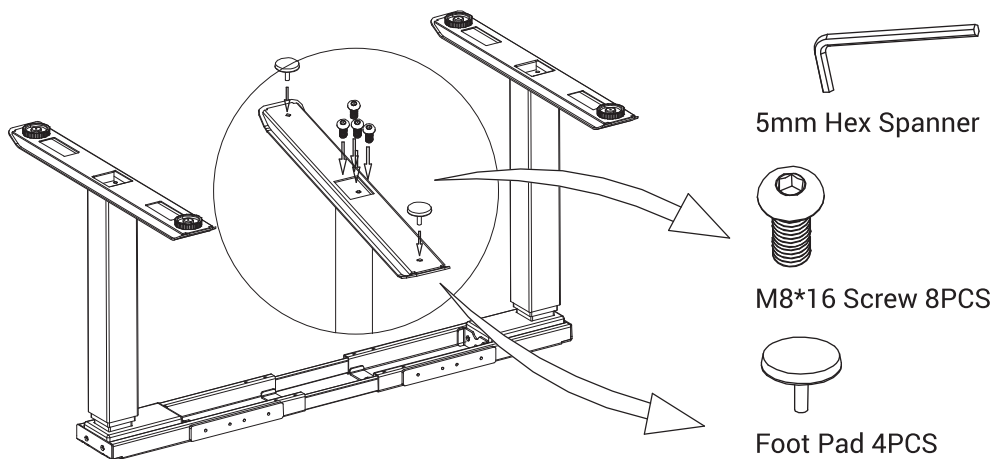
STEP 2

Attach legs to the beam1 using 8 of M6*12 screws.



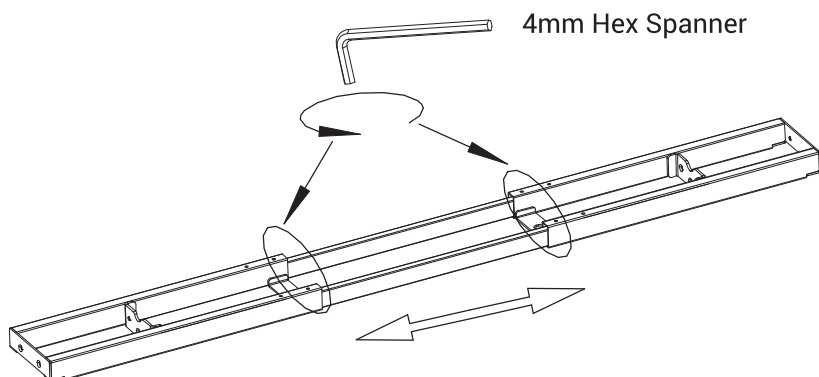
STEP 3

Attach feet to the legs using 8 of M8*16 screws, attach the 4 of levelling foot pads to the feet by hand.



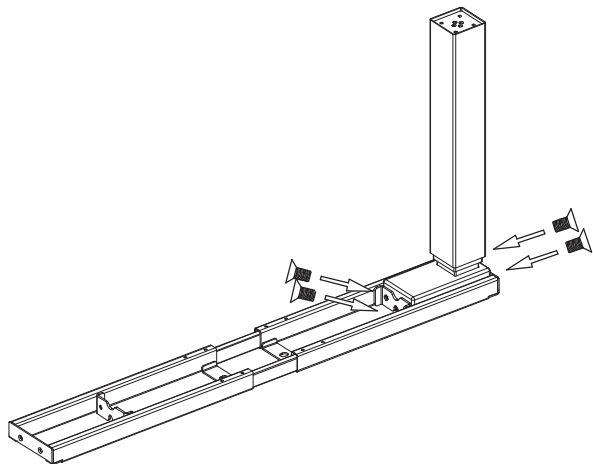
STEP 4

Loosen the 4 screws of beam2 using 4MM hex spanner, adjust the beam to proper position to fit the desktop.



STEP 5

Attach feet to the legs using 8 of M8*16 screws, attach the 4 of levelling foot pads to the feet by hand.



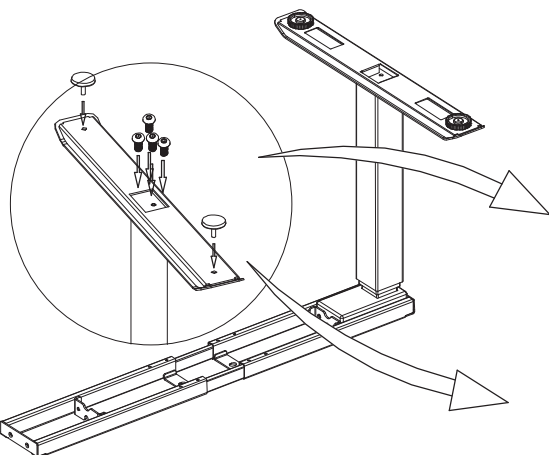
4mm Hex Spanner



M6*12 screw 4PCS

STEP 6

Attach feet to the legs using 4 of M8*16 screws, attach the 2 of levelling foot pads to the feet by hand.



5mm Hex Spanner



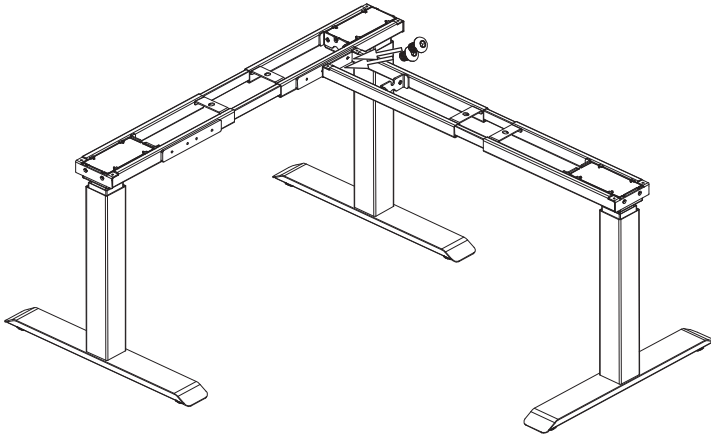
M8*16 Screw 4PCS



Foot Pad 2PCS

STEP 7

Attach the beam2 to the beam1 using 2 of M6*8 screws.



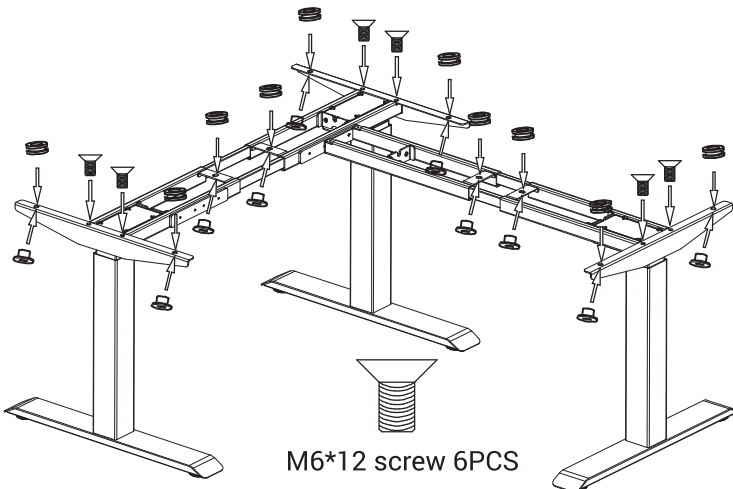
4mm Hex Spanner



M6*8 screw 2PCS

STEP 8

Attach feet to the legs using 4 of M8*16 screws, attach the 2 of levelling foot pads to the feet by hand.



4mm Hex Spanner



Rubber Cushion 10PCS

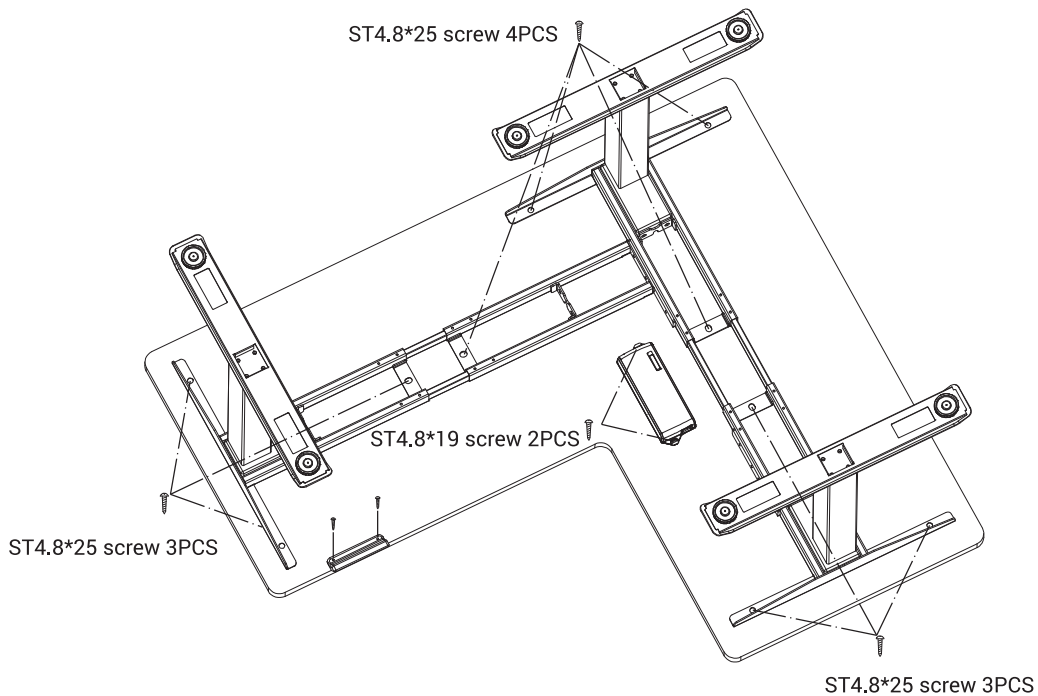


Plastic Pad 10PCS

M6*12 screw 6PCS

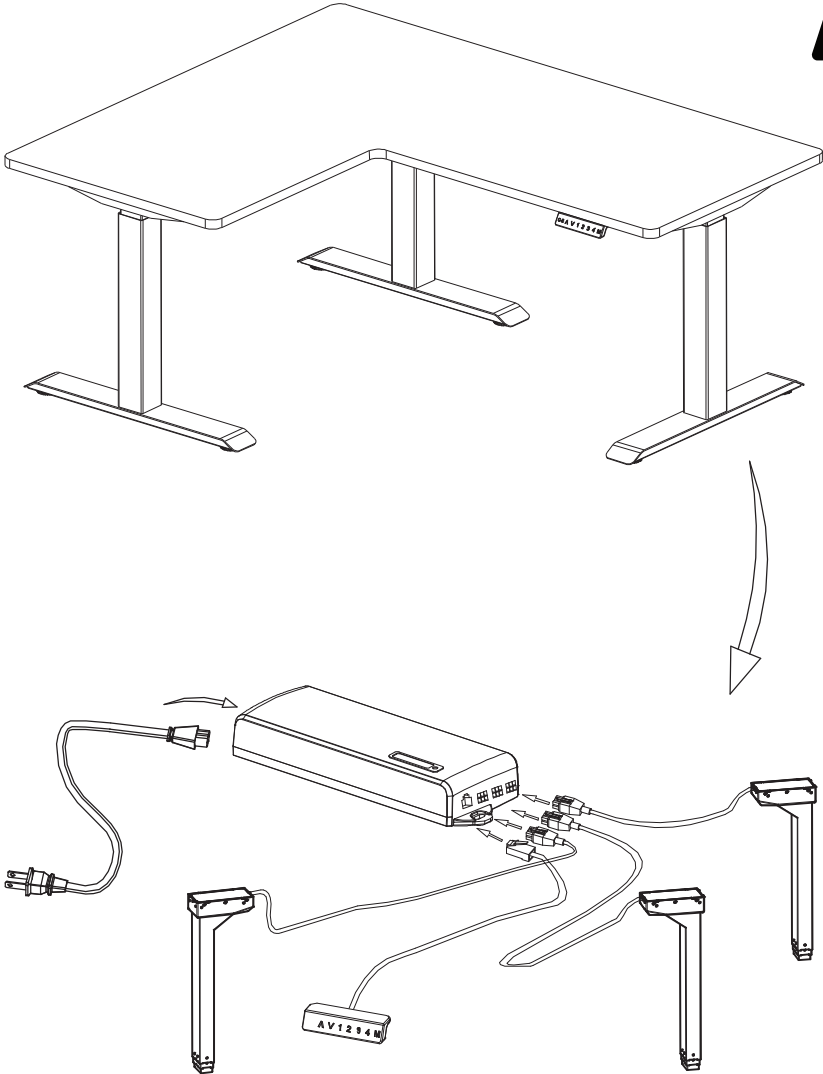
STEP 9

Fix table top to frames with 10 of ST4.8*25 screws, then fix control boxes to below table top with 2 of ST4.8*19 screws, at last fix handsets to below table top with 2 of ST 3.5*19 screws.

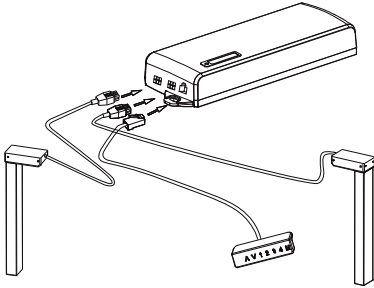


STEP 10

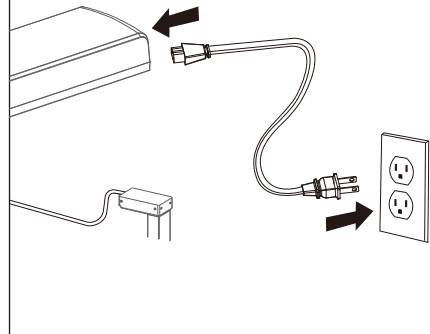
Connect the control box to the handset and to the motor.



Connect the Control Box to corresponding Control Switch, and Legs cable. Repeat process with the Desk on other side.



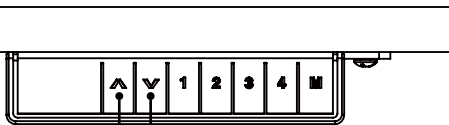
Plug the Power Cable into Control Box and then into a power outlet. Repeat process with the Desk on other side.



 NOTE: Make sure no obstacles are in the desk's path. Make sure cords are a length that will accommodate the change in height.

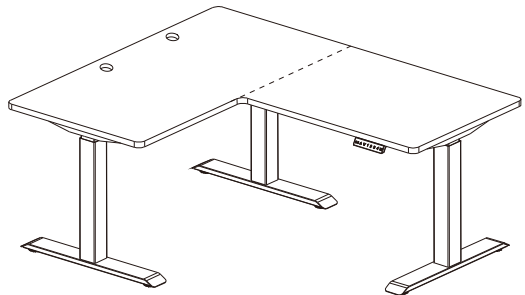
Before use, reset each Control Box following these instructions on both sides.

IMPORTANT! You must RESET the desk prior to use.



Press up and down buttons at the same time until it beeps and goes down to the lowest level

Release both buttons and press down button until exact height appears on display.



YOUR DESK IS READY TO USE.

1. Adjust SmartDesk's height

Press "Up" or "Down" button to adjust the height of the desk.

2. Program pre-set buttons

To use the presets on the SmartDesk, please follow the steps:

Set the desk to the height you like.

Press the M/S button until the LED flashes.

Press the number you want the desk set to.

3. Reset the desk

Unplug the power cord to the control box.

Unplug the cable from the keypad to the control box.

Plug all the cables again.

Do the reset: Press up and down buttons at the same time until it beeps and goes down to the

Lowest level: Release both buttons, then press only down until it shows the exact height.

Your desk is ready to use.

Before use make sure that:

The legs are level and start at the lowest position.

All the screws are tightened or else the desk will make noise/ wobble.

DESK PLACEMENT

When moving the desk, DO NOT lift the desk by the desktop alone. Support both the frame and the desk top equally. Favoring one over the other can stress the fasteners connecting the desk frame to the desktop. Lower the desk completely before moving it.

Choose a placement for the desk that's a safe distance from window frames, radiators, furniture, etc., so that people do not get stuck or trapped by the desk, and nothing obstructs the desk from rising or lowering.

Ensure adequate cord clearance before using the desk. Connect desk's power cord to the 110V - 240V outlet to make the desk ready for use.

Do not place any objects underneath the desk that are taller than 25".

Manufacturer Warranty Info.

(FOR NAVODESK HEIGHT ADJUSTABLE FRAME MODEL F-300)

Note: You must present proof of purchase (Receipt) to Obtain warranty service.

What does this warranty cover?

This Warranty covers any defects in material or workmanship under normal use during the first five years from the date of purchase.

- **Warranty Info.**

The Warranty covers parts and labor costs to repair your Product if the product fails to properly operate due to defects in materials or workmanship of the frame, electric motors, control box & control panel. If we determine, at our sole discretion, that your Product cannot be repaired, we will replace it with a Product of like kind and quality that is of comparable performance.

Replacement parts or products may be new or repaired to meet the specifications of the original product at our discretion.

How long does the coverage last?

The Warranty Period for Navodesk Frame Model F-300 from Navodesk or any of the official resellers is 5 years from the date of purchase. A replacement product or part resumes the remaining warranty of the original product.

What does this limited warranty not cover?

This Warranty does not cover any problem that is caused by:

- Conditions, malfunctions or damage not resulting from defects in material or workmanship
- Changes in surface finish, including color-fastness or matching of colors, woodgrains, or textures
- Damage to your Product caused by accident, abuse, neglect, intentional physical damage, misuse (including faulty installation, repair, or maintenance by anyone other than the Manufacturer's authorized service provider)
- Normal wear and tear
- Dye transfers caused by external contaminants
- Modifications made by the user which is not authorized by NAVODESK
- Products that were not installed, used, or maintained in accordance with product instructions and warnings
- Damage or marking of surfaces caused by sharp or foreign object

How to claim Warranty?

To obtain warranty service, you must first contact our official reseller or us through our contact form on our official website in order to determine the problem.

NAVODESK

info@navodesk.com navodesk.com