

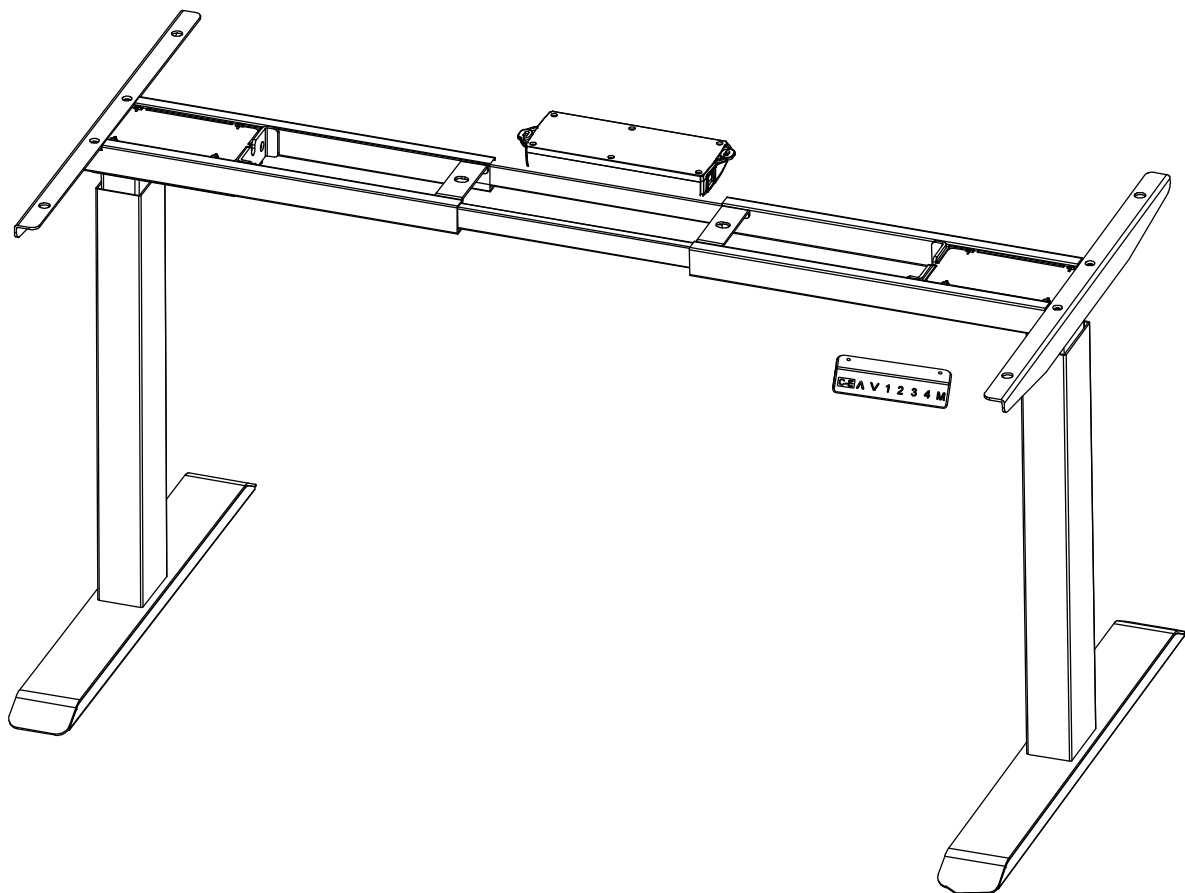
2 LEG FRAME

NAVODESK

USER MANUAL

2 Leg Height Adjustable Standing Desk

MODEL: ND-F200-V2



Please read this manual before assembly.

If this desk is sold, please provide the manual to the buyer

Note: Desktop must be purchased separately

Table of Contents

Safety Information & Usage	01
Package Contents and Part List	02
Assembly Instructions	04
Operational Guide	08
Technical Specificaitons	09
Upgrade Your Desk	09
Warranty Information	10
Bluetooth & Smart App	11

When using this product, basic precautions should always be followed. Read all instructions before using the desk. FAILURE TO COMPLY WITH OR OBSERVE ALL INSTRUCTIONS AND WARNINGS REGARDING THE USE OF THIS PRODUCT MAY RESULT IN SERIOUS PROPERTY DAMAGE OR BODILY INJURY.

DANGER - To reduce the risk of electric shock, always unplug the electrical outlet before cleaning, or before putting on or taking off parts.



Make sure no obstacles are in the desk's path.
Make sure the desktop is not touching any walls.
Make sure all cords are appropriate length to accommodate the change in height.



Keep children away from electric height - adjustable desks, control units and handsets. There is a risk of injury and electric shock.



Keep all electrical components away from liquids.



Do not sit or stand on the desk frame.
Do not crawl or lie under the desk frame.



Do not place any objects taller than 20" underneath the desk.



Do not open any of the components - the Legs, Control Box, or Switch.
There is a danger of electric shock.



In the event of a power outage or if the power cord is unplugged,
a manual reset may be necessary - see USE section.



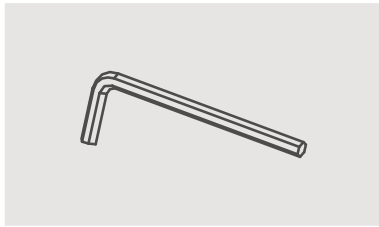
This height adjustable desk has electric motors and is designed for use in dry work areas only.

The desk height is adjustable so that it can be positioned at the most ergonomically suitable height.

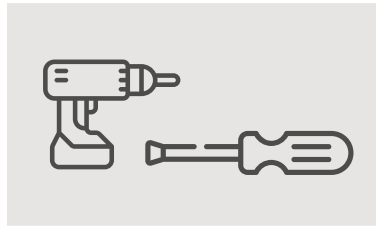
Any other use is at user's risk.

Under no circumstances does the manufacturer accept warranty claims or liability claims for damages caused from improper use or handling of the desk frame.

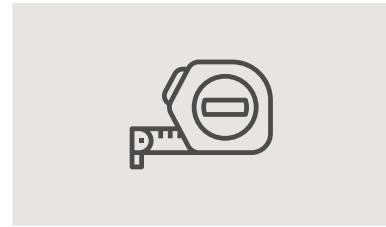
TOOLS



4mm Allen Wrench
(included)



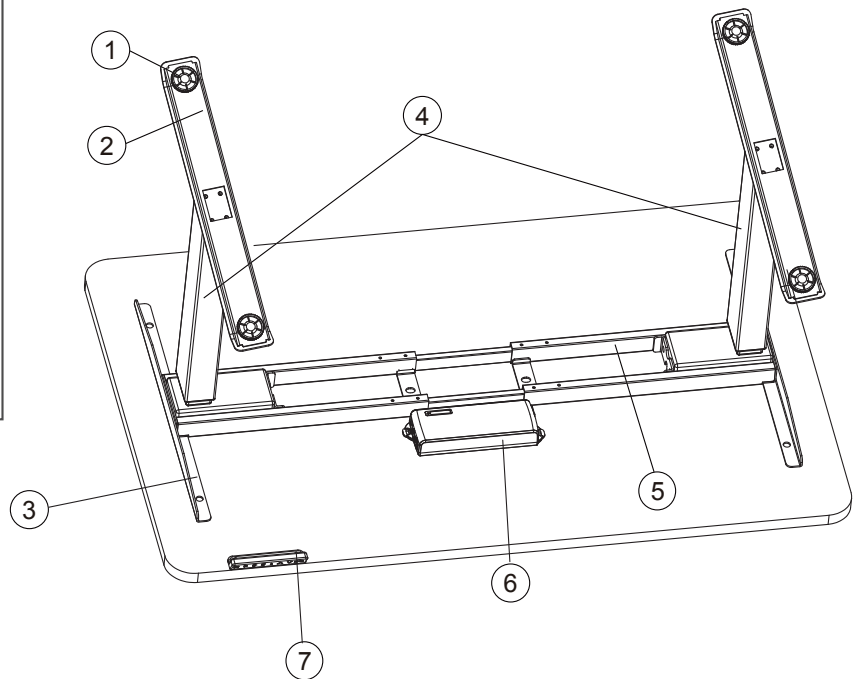
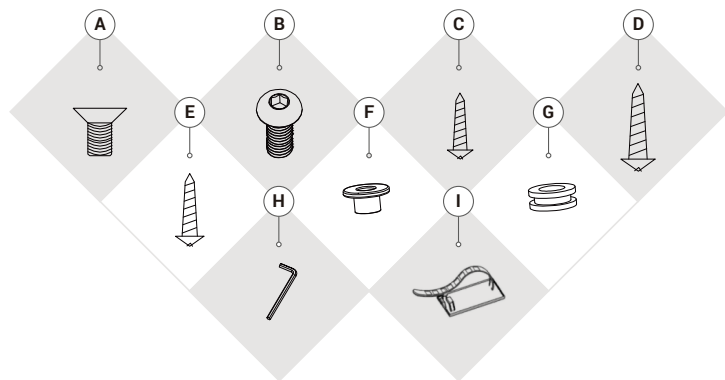
Phillips Head Screwdriver
and/or Power Drill



Tape Measure

PARTS AND HARDWARE LIST

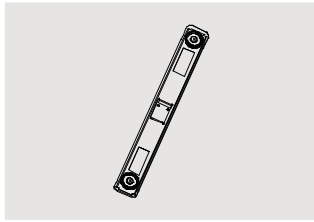
NO	Component Name	Qty
1	Foot Pad	4
2	Foot Margin	2
3	Bracket	2
4	Legs	2
5	Cross Bar	1
6	Control Box	1
7	Key Pad	1
A	M6*12 Screw	12
B	M6*14 Screw	8
C	ST3.5*19 Screw	2
D	ST4.8*19 Screw	2
E	ST4.8*25 Screw	6
F	Plastic Pad	6
G	Rubber Cushion	6
H	4mm Hex Spanner	1
I	Cable Tie	5



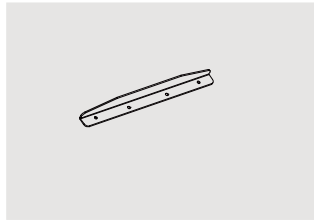
ATTENTION

TIGHTEN ALL THE SCREWS OF THE FRAME TO AVOID WOBBLING. IF THE DESK WOBBLER, TIGHTEN ALL THE SCREWS AGAIN.

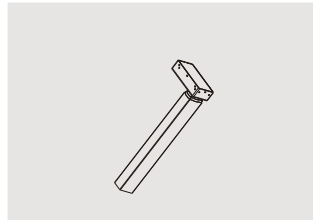
PARTS



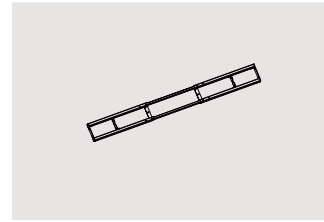
1 Foot Pad x4
2 Foot Margin x2



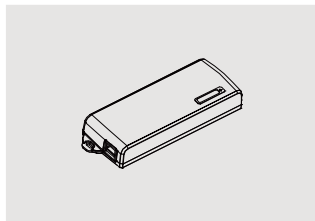
3 Bracket x2



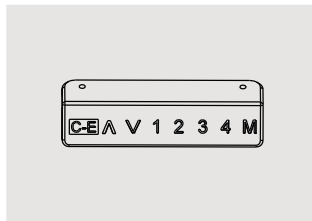
4 Legs x2



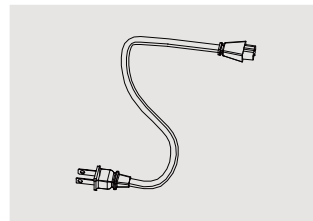
5 Crossbar x1



Control Box x 1

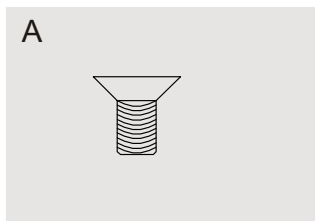


Keypad x 1

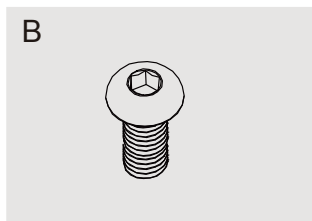


Power Cable x 1

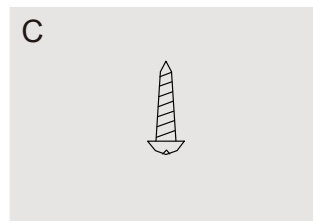
HARDWARE



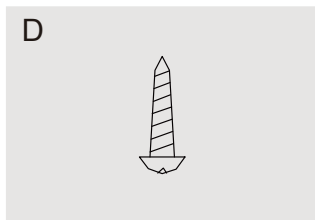
M6*12
Screw x 12



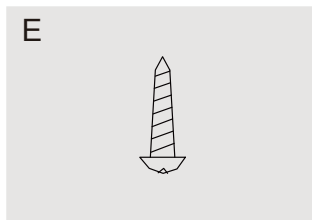
M6*14
Screw x 8



ST3.5*19
Screw x 2



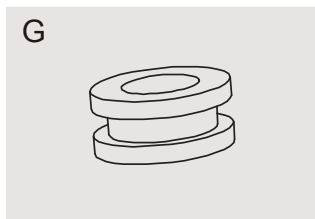
ST4.8*19
Screw x 2



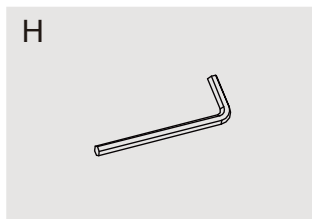
ST4.8*25
Screw x 6



Plastic Pad x6



Rubber Cushion x 6



4mm
Hex Spanner x1



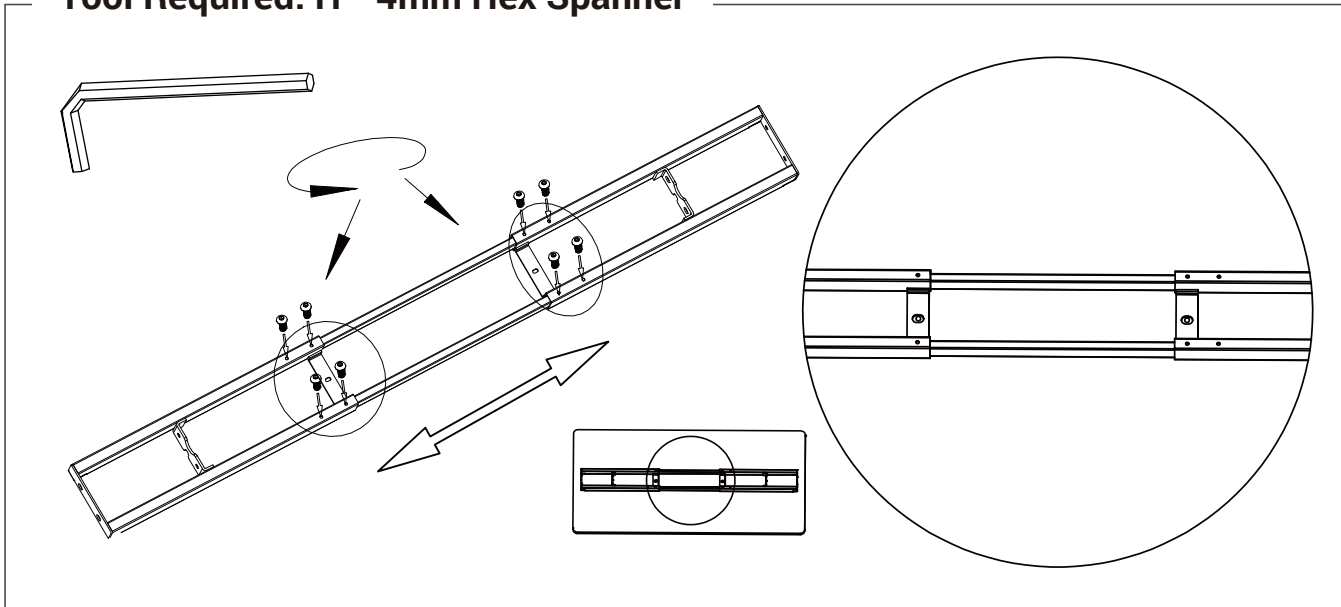
Cable Tie x 5

NOTE: QUANTITY OF SOME SCREWS OR PARTS MAYBE MORE THAN MENTIONED. IF ANY CONTENT IS LESS OR MISSING PLEASE CONTACT US OR OUR RESELLER ASAP, DO NOT PROCEED WITH THE ASSEMBLY.

STEP 1

Loosen 8 pcs M6*10 screws, they were attached before packing.
Adjust the crossbar to proper position and then tighten the 8 pcs screws.

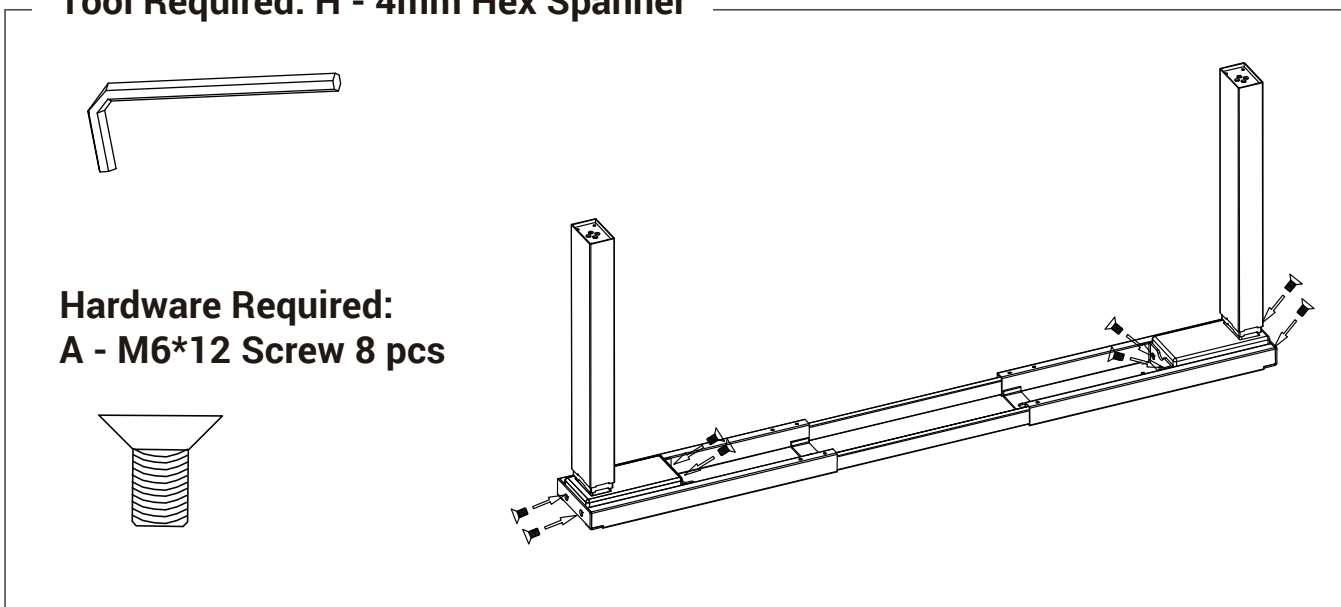
Tool Required: H - 4mm Hex Spanner



STEP 2

Attach legs to crossbar ends using 8 pcs M6*12 screws.

Tool Required: H - 4mm Hex Spanner



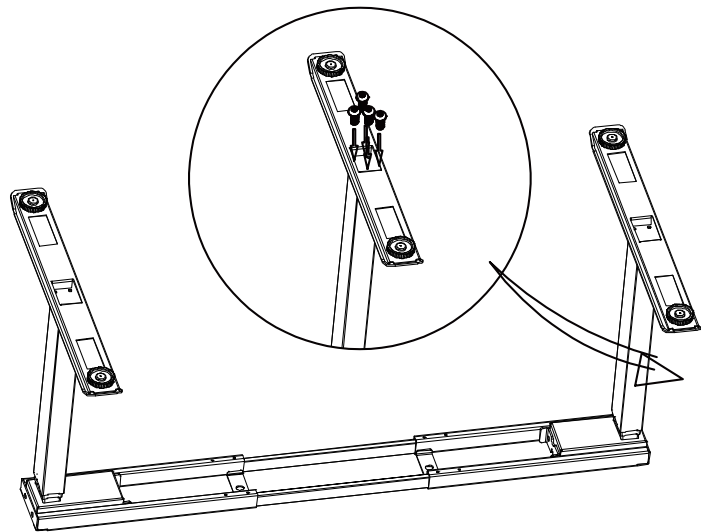
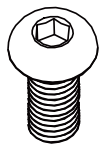
STEP 3

Attach foot margins to leg using 8 pcs M6*14 screws and tighten with 4mm hex spanner.

Tool Required: H - 4mm Hex Spanner



**Hardware Required:
B - M6*14 Screws 8 pcs**



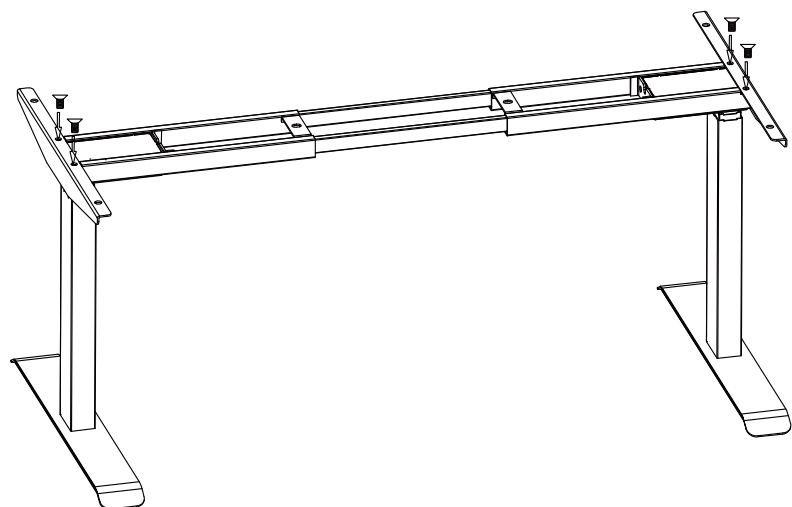
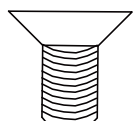
STEP 4

Attach brackets to each crossbar end using 4 pcs M6*12 screws.

Tool Required: H - 4mm Hex Spanner



**Hardware Required:
A - M6*12 Screw 4 pcs**



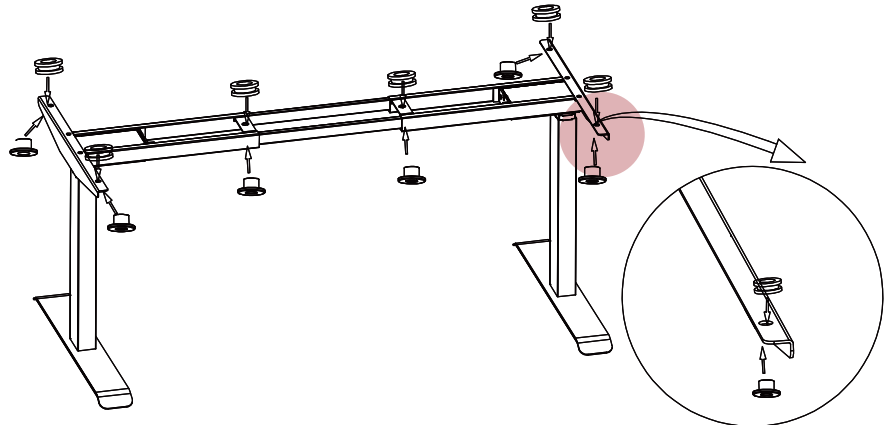
STEP 5

Put rubber cushions and plastic pads on the side brackets and crossbar.

Hardware Required

F - Plastic Pad

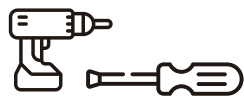
G - Rubber Cushion



STEP 6

Attach the brackets and the crossbar to the table top using 6 pcs ST4.8*25 screws. Attach the control box using 2pcs ST4.8*19 screws. Attach the keypad to the table top using 2 pcs ST3.5*19 screws.

Tool Required :

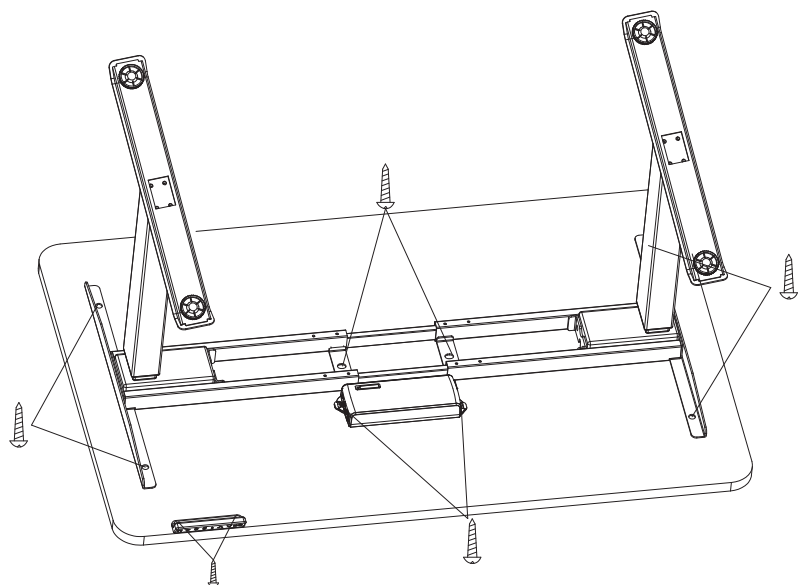
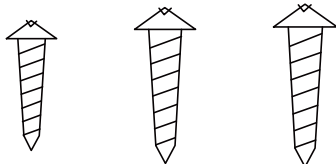


Hardware Required :

C - ST3.5*19 Screw 2 pcs

D - ST4.8*19 Screw 2 pcs

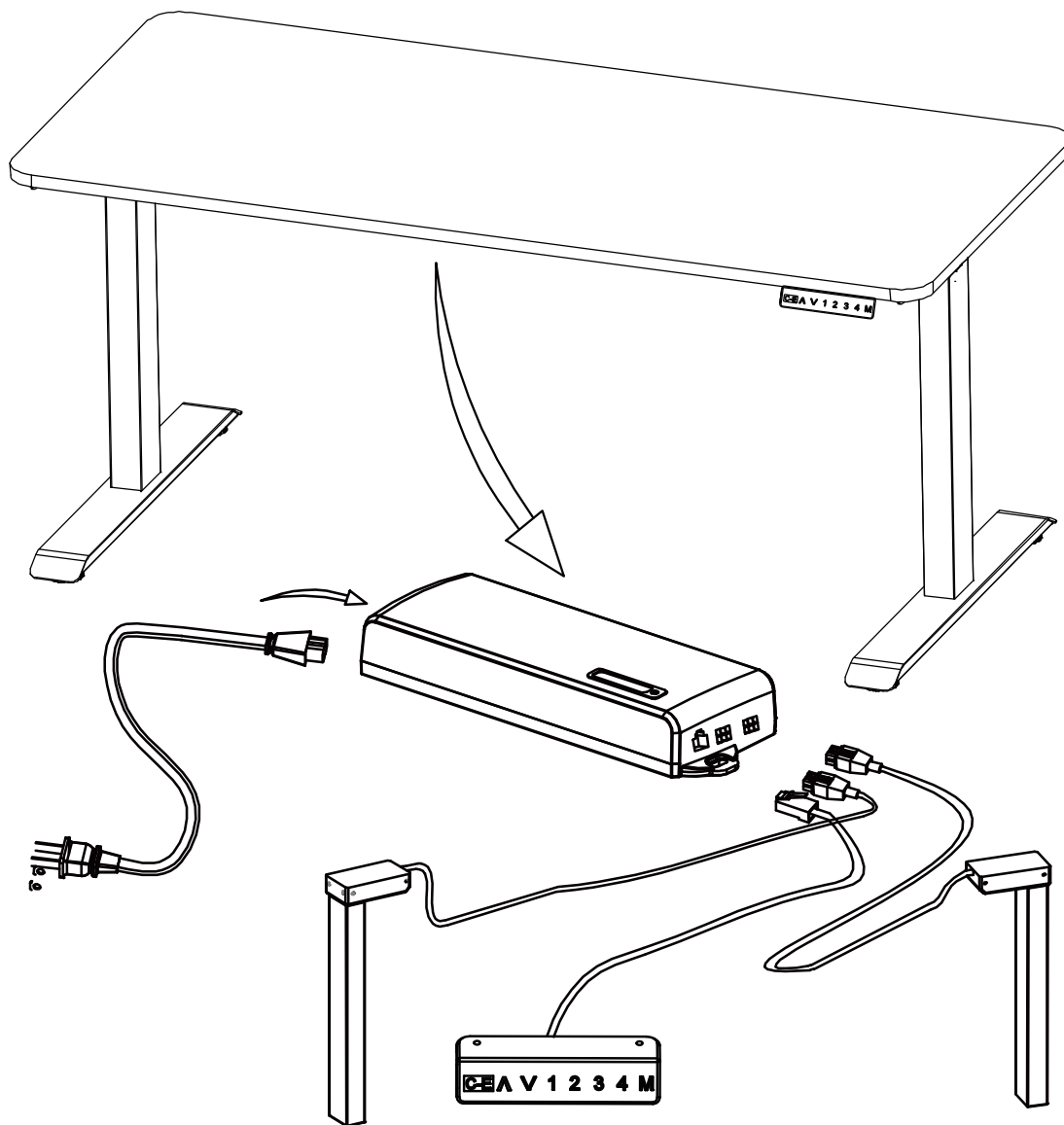
E - ST4.8*25 Screw 6 pcs



Note: If your desktop does not have pre drilled holes, attach the frame with screws into the desk surface with an electric screwdriver.

STEP 7

Plug cables from two motors to the control box and cable from the keypad.



WARNING

- Close supervision is necessary when this furnishing is used by, or near children, invalids, or disabled persons. Keep children away from electric height-adjustable desks, control units, and keypads.
There is a risk of injury and electric shock.
- Use this table only for its intended use as described in these instructions. Do not use attachments not recommended by the manufacturer.
- Keep the table close to the power socket/outlet to be easily accessible.
- Never operate this table if it has a damaged cord or plug, if it is not working properly, if it has been dropped or damaged, or dropped into water.
- Keep the cords away from heated surfaces.
- Do not open any of the components: legs, control box, or keypad. There is a danger of electric shock. Do not insert anything into any seam or opening.
- Keep all electrical components away from liquids.

1. Normal Operation

Drive the desk to the desired height using the “^” or “v” button.

2. Setting the Memory

Press the “M” button till the displayer flashing and then press “1” button.

Position 1 is now stored.

Repeat above procedure for positions 2,3,4.

Then hold and press to operate the “1”,”2”,”3”,”4” button and the desktop will stop at the desired.

3. System Initialization

If the system doesn't work when we use, we may need the system reset, to make the system initialized. Reset procedure is as follows: press the “^” and “v” button together for about 15s then you can hear a beep, do not release the button and keep pressing the “^” and “v” button, lifting columns will go down to its lowest position, you will hear a beep, then a new initialization sequence can be run.

4. Notice

- 1 This product must meet the technical parameters in use.
- 2 Keep away from water and corrosion resistant gas.
- 3 Please contact us or our distributors if there is something wrong with the product.



As above shown, add new switch function base on the premise that original keys function unchangeable, procedure as follows:

- 1 Press the “1” “2” “M” buttons together for about 5 seconds, display “C-E” (flashing)—then continue to procedure 2,3.
- 2 Press button “1” within 5 seconds, display “C”, then switch to metric system CM—go into the general operation.
- 3 Press button “2” within 5seconds, display “E” then switch to British system Inch—go into the general operation.
- 4 If above procedures no further operate over 5seconds, then will recover to the previous setting.

Frame Size	(1075-1800) * 600mm
Height Range	710-1170mm
Feet	700mm
Max Loading	120 Kg
Speed	40mm/s (without load)
Duty Cycle	10%. Max. 2 Min on, 18 mins off
	Soft start / stop
	4 Memory Presents

Upgrade Your Desk

Our modern and progressive frame system allows you to swap between any desk top sizes from 43 to 72 inches without having to buy a new desk frame.

Simply expand the frame and swap tops. You can also add accessories not chosen with your original purchase from NAVODESK or any other brand which is compatible with our desk.

NOTE: This frame best supports desktops with max. thickness of 1.5 inches. Accessories not made by NAVODESK added to the desk might void the warranty contract. Please contact our support team before adding any accessory to the desk which is not made or approved by NAVODESK.

Manufacturer Warranty Info.

(FOR NAVODESK HEIGHT ADJUSTABLE FRAME MODEL F200-V2)

Note: You must present proof of purchase (Receipt) to Obtain warranty service.

What does this warranty cover?

This Warranty covers any defects in material or workmanship under normal use during the first five years from the date of purchase.

- **Warranty Info.**

The Warranty covers parts and labor costs to repair your Product if the product fails to properly operate due to defects in materials or workmanship of the frame, electric motors, control box, push-button control panel and the desktop. If we determine, at our sole discretion, that your Product cannot be repaired, we will replace it with a Product of like kind and quality that is of comparable performance. Replacement parts or products may be new or repaired to meet the specifications of the original product at our discretion.

How long does the coverage last?

The Warranty Period for Navodesk Frame Model F200-V2 from Navodesk or any of the official resellers is 5 years from the date of purchase and for NAVODESK accessories such as headphone mount & cable management tray is 1 year from the date of purchase.

A replacement product or part resumes the remaining warranty of the original product.

What does this limited warranty not cover?

This Warranty does not cover any problem that is caused by:

- Conditions, malfunctions or damage not resulting from defects in material or workmanship.
- Changes in surface finish, including color-fastness or matching of colors, woodgrains, or textures
- Damage to your Product caused by accident, abuse, neglect, intentional physical damage, misuse (including faulty installation, repair, or maintenance by anyone other than the Manufacturer's authorized service provider)
- Normal wear and tear
- Dye transfers caused by external contaminants
- Modifications made by the user which is not authorized by NAVODESK
- Products that were not installed, used, or maintained in accordance with product instructions and warnings
- Damage or marking of surfaces caused by sharp or foreign object

How to claim Warranty?

To obtain warranty service, you must first contact our official reseller or us through our contact form on our official website in order to determine the problem.

This desk frame is enabled with Bluetooth technology. You can download the App “**Stand up pls**” on your **iOS** or **Android** devices and control the desk from your phone.

The app provides a smarter and easier way to adjust your ergonomic desk. It allows you to control the height adjustable desk from your mobile device via Bluetooth.

The key features include:

- Bluetooth synchronization
- Memory function
- Customized sit/stand cycle
- Tracking/ calculating of calories burned
- Safety support- error alarm notices



Android



iOS



DISCLAIMER

THE BLUETOOTH AND SMART APP IS AN ADD ON BONUS FEATURE WE PROVIDE WITH THE DESK. WE ARE NOT LIABLE FOR ANY ERRORS OR GLITCHES OF THE APP. SOME DEVICES MAY NOT BE ABLE TO USE ALL THE FEATURES OR BE COMPATIBLE WITH THE SMART APP.